

# CASCOS

LIFTING PROFESSIONALS

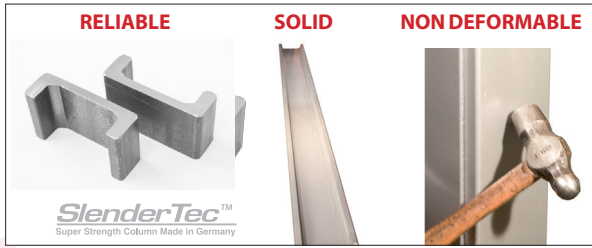


## 2 POST LIFTS

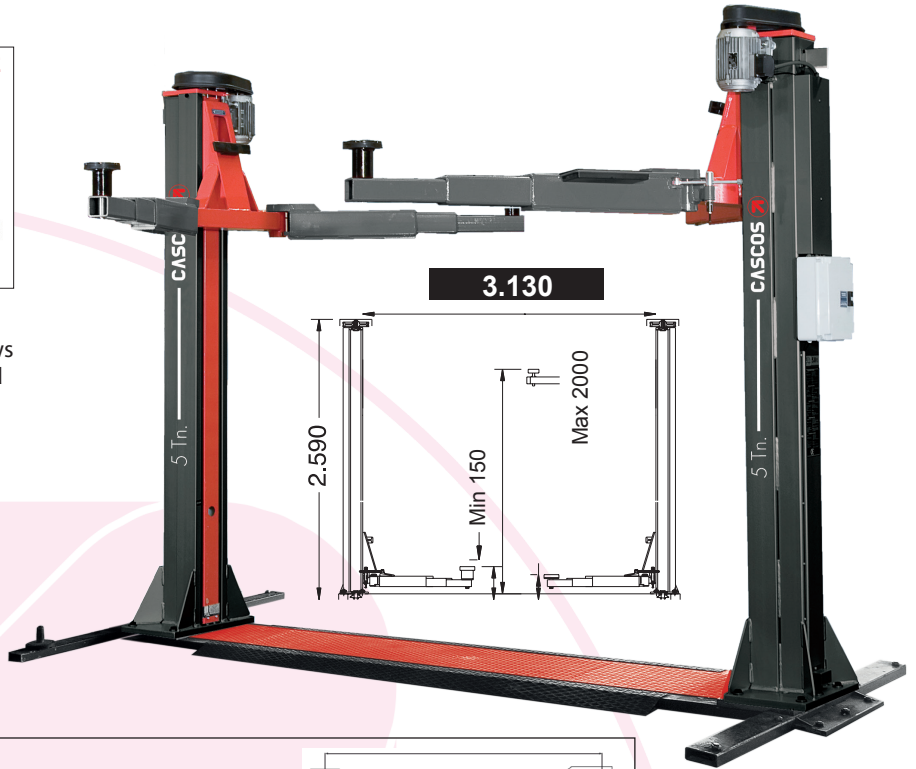
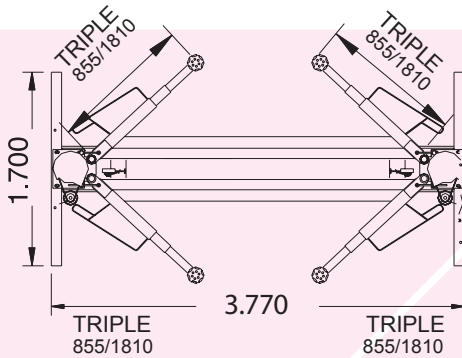


# C5XL WAGON

Ref.	kg			
13201	5.000 Kg.	1.350 Kg.	400/230V - 3+3kW	40"



Ours special profiles **SlenderTec™** Super Strength Column Made in Germany allows us to manufacture extremely resistant and less bulky posts.



\*Specific for big vans  
Max 1.810 / Min 855 **4 X**

## Reversibility

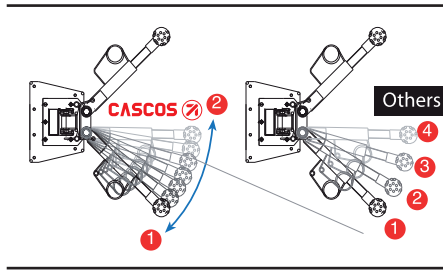


2006/42/CE & EN - 1493:2011  
European Directives  
& Approved Standards

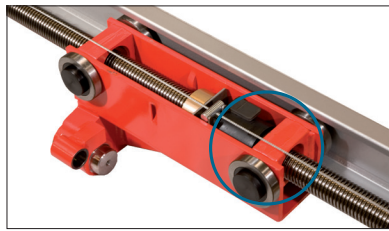


**✓ Exclusive details**

Our locking mechanism, via spindle as opposed to the cog style, allows for far **greater choice of positioning for the operator**.

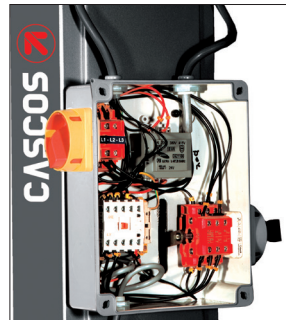
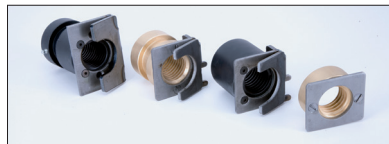


**High quality guided steel bearings** offer **longer durability** than nylon guides.



**The biggest diameter spindle on the market** and high quality nuts offer:

- Less wear.
- Longer lasting life.



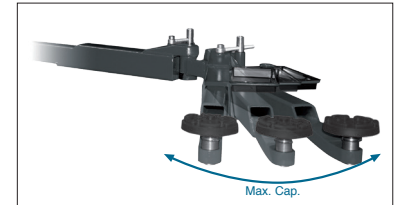
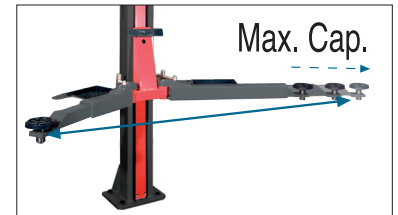
**Maximum reliability,** mechanical and electrical.



Chain driver transmission **integrated on the solid base**

**Maximum load APPROVED**

**In any position!**



**CASCOS** lifts, against the others from our main competitors, can lift the **maximum load at:**

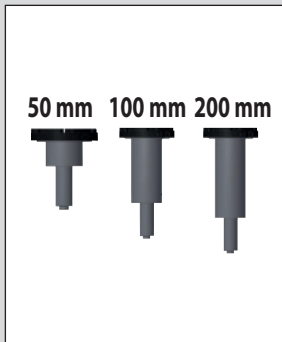
- Any opening angle..
- Arm extension..

- Tool trays.
- Rubber protections on post for safe door opening.
- Spindle protection



## Accessories

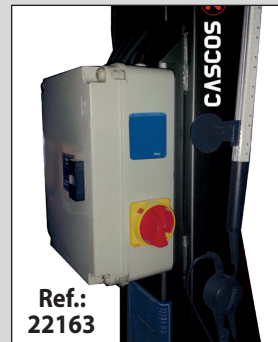
**Lift pads unregulation**



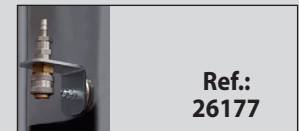
**Magnetic holder for tools**



**Integrated power plug (Assembled in factory)**



**Magnetic air Kit**



**Original spare part**

