

# CASCOS

LIFTING PROFESSIONALS

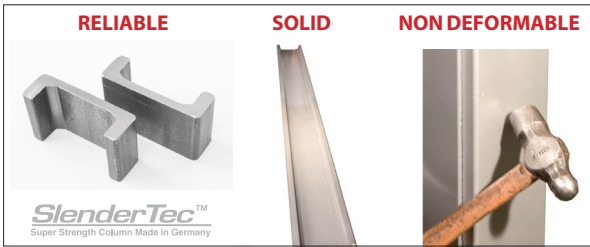


# 2 POST LIFTS

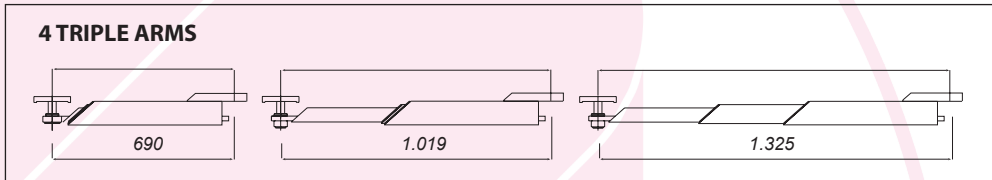
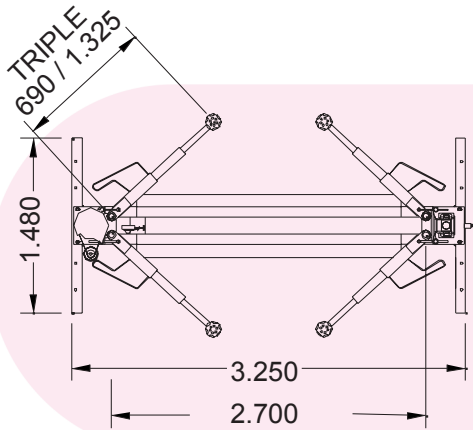
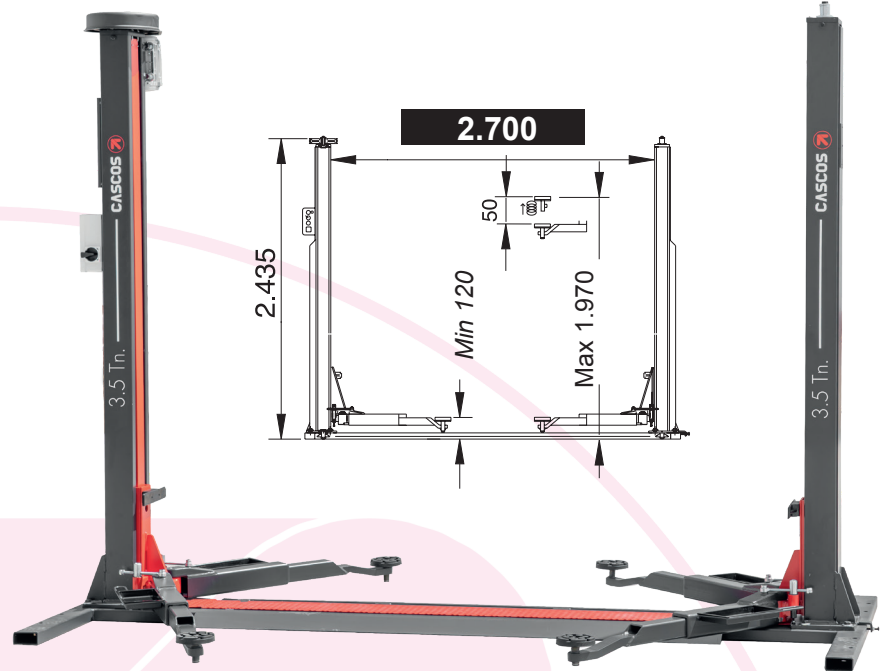
# C3.5



Ref.				
13168	3.500 Kg.	710 Kg.	400/230V - 3.7kW	45"



Ours special profiles **SlenderTec™** Super Strength Column Made in Germany allows us to manufacture extremely **resistant** and **less bulky posts**.



## Reversibility

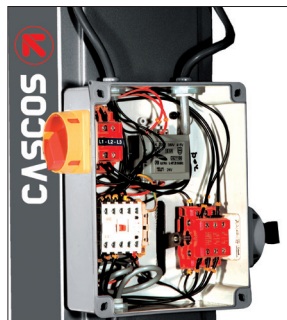
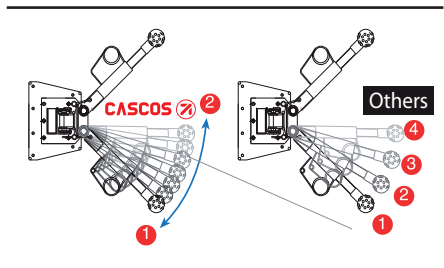


2006/42/CE & EN - 1493:2011 European Directives & Approved Standards



**✓ Exclusive details**

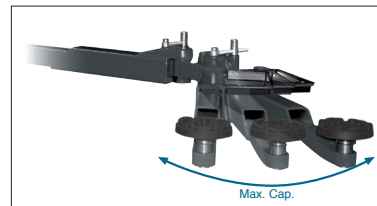
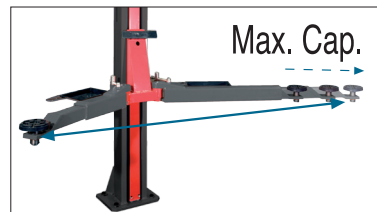
Our locking mechanism, via spindle as opposed to the cog style, allows for far **greater choice of positioning for the operator**.



**Maximum reliability,** mechanical and electrical.

**Maximum load APPROVED**

**In any position!**



**CASCOS** lifts, against the others from our main competitors, can lift the **maximum load at:**

- Any opening angle..
- Arm extension..

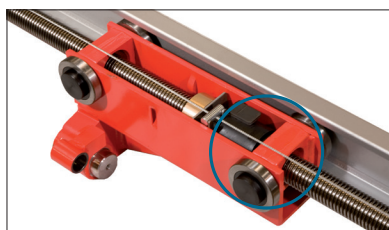


Chain driver transmission **integrated on the solid base**

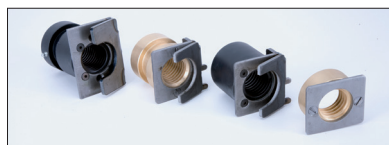
• Tool trays.

• Rubber protections on post for safe door opening.

• Spindle protection



**High quality guided steel bearings** offer **longer durability** than nylon guides.



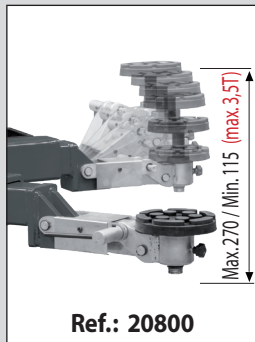
**The biggest diameter spindle on the market** and high quality nuts offer:

- Less wear.
- Longer lasting life.

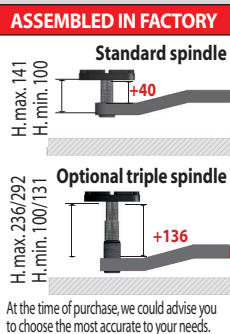


## Accessories

**Clip system pads**



**Triple spindle**



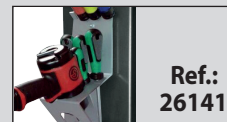
**Quick pads kit**



**Pads Magnetic holder**



**Magnetic holder for tools**



**Magnetic air Kit**



**Integrated power plug (Assembled in factory)**



**Original spare part**

